

RS-380SH



Carbon-brush motors

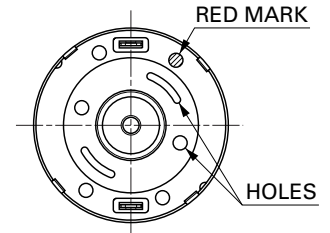
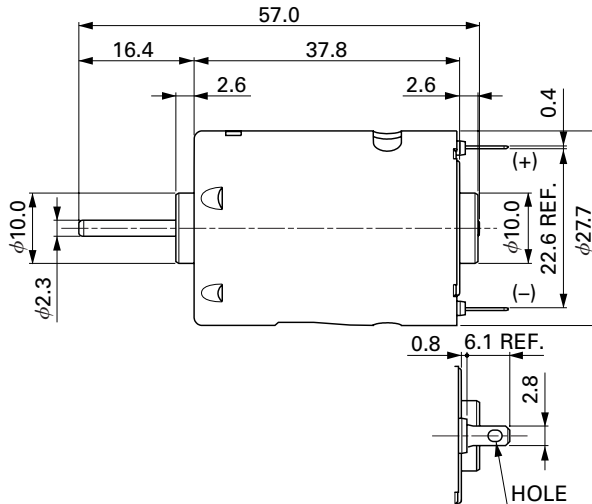
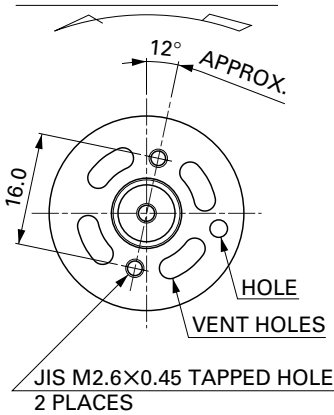
OUTPUT : 0.9W~40W (APPROX)

WEIGHT : 71g (APPROX)

Typical Applications Home Appliances : Vacuum Cleaner

MODEL	VOLTAGE		NO LOAD		AT MAXIMUM EFFICIENCY				STALL			
	OPERATING RANGE	NOMINAL	SPEED r/min	CURRENT A	SPEED r/min	CURRENT A	TORQUE mN·m	TORQUE g·cm	OUTPUT W	TORQUE mN·m	TORQUE g·cm	CURRENT A
RS-380SH-4045	3~9	7.2V CONSTANT	16200	0.50	14060	3.29	10.9	111	16.0	82.3	839	21.6
RS-380SH-12300	12~30	24V CONSTANT	8000	0.070	6540	0.31	6.27	63.9	4.29	34.3	350	1.40

DIRECTION OF ROTATION

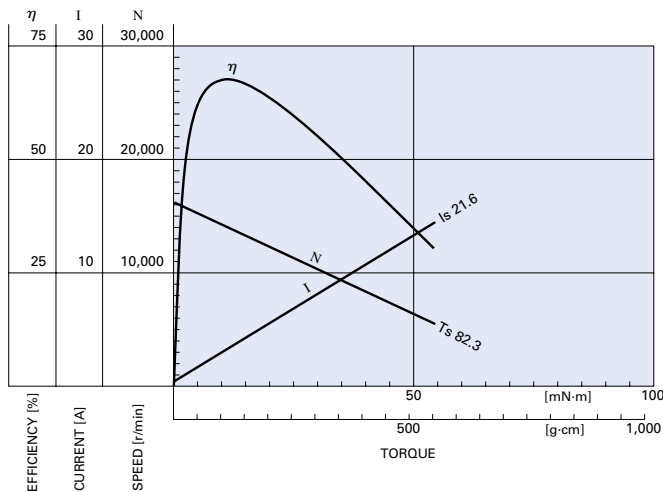


Usable machine screw length 4.0 max. from motor mounting surface.

UNIT: MILLIMETERS

RS-380SH-4045

7.2V



RS-380SH-12300

24.0V

